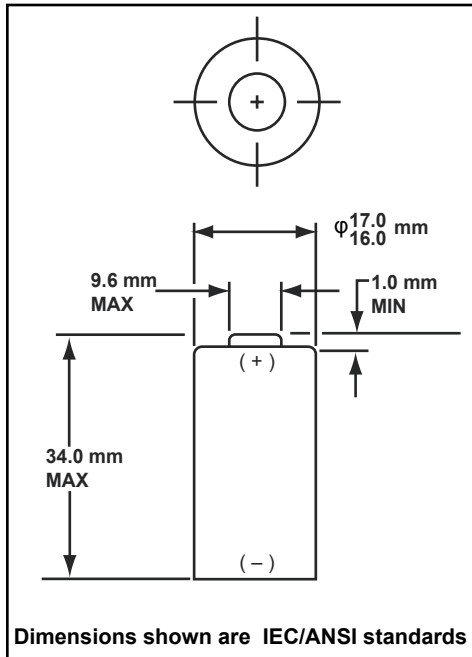


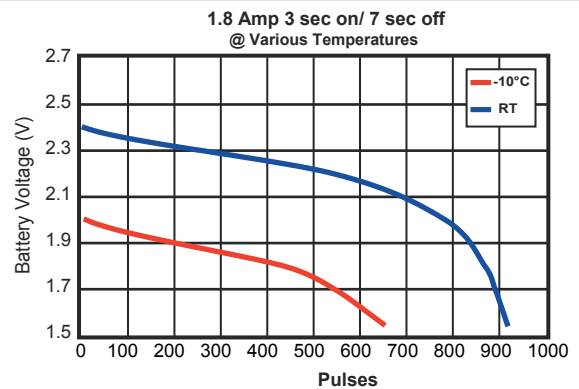
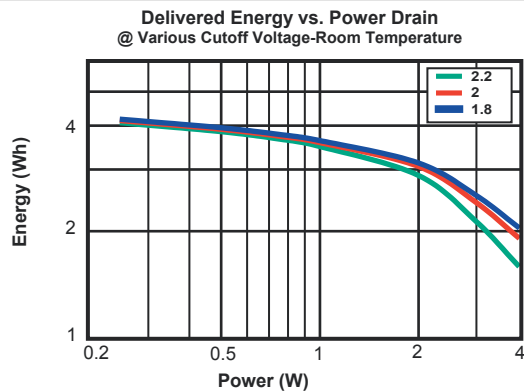
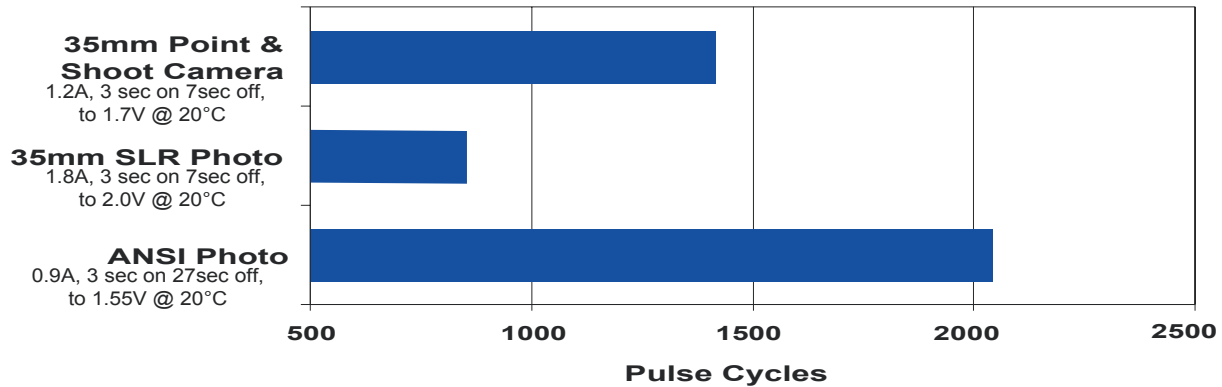


Lithium/Manganese Dioxide Battery

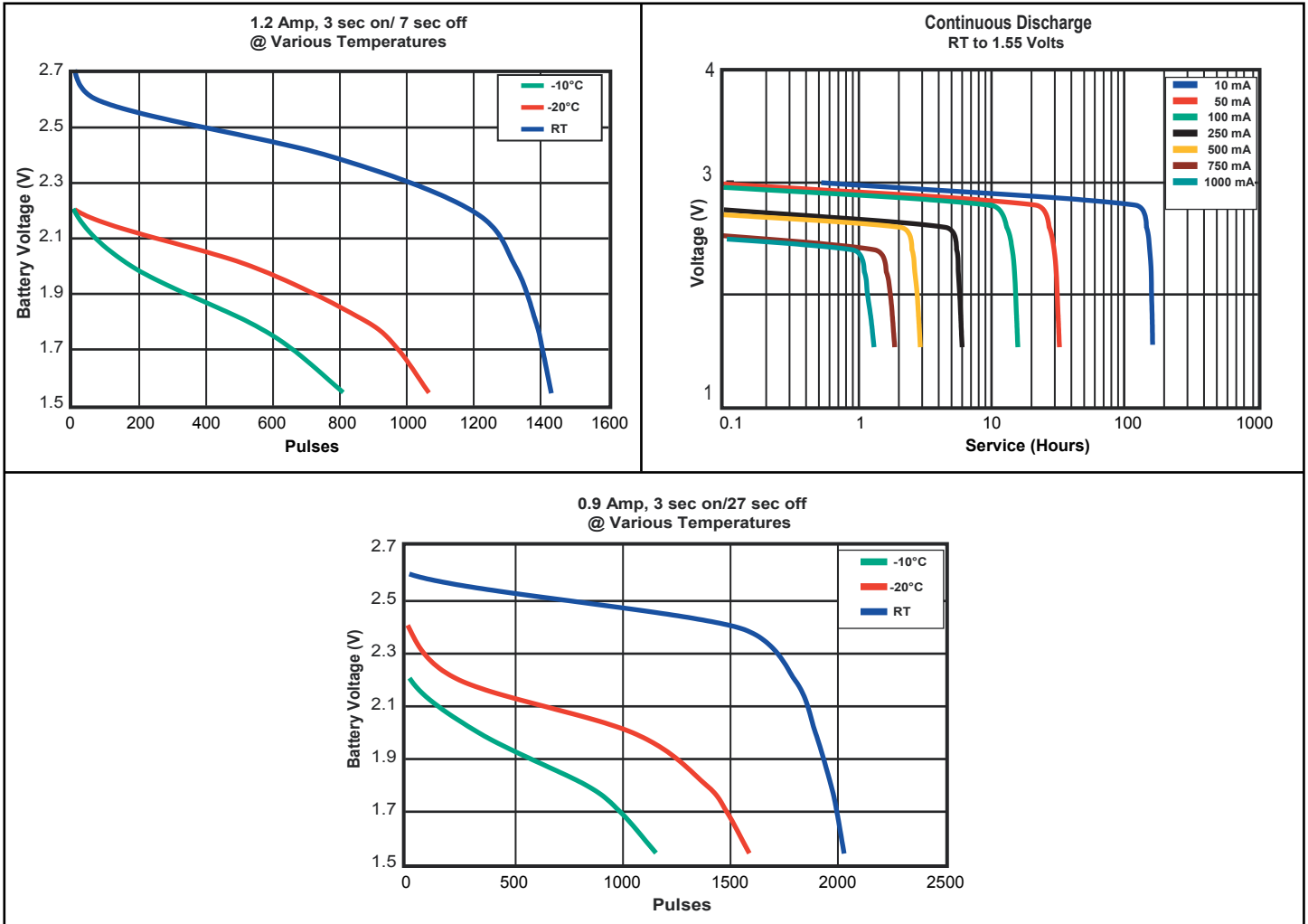
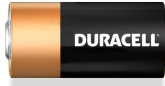


Specifications	
Classification:	Lithium
Chemical System:	Manganese Dioxide/Li/Organic Electrolyte
Designation:	ANSI-5018LC, IEC-CR17345
Nominal Voltage:	3V
Typical Voltage:	3.2-3.3V
Nominal Internal Impedance:	0.25 ohm @ 1 kHz
Typical Weight:	17g
Typical Volume:	7.18 cm ³ (cubic centimeters)
Operating Temp:	-20°C to 75°C (-4°F to 167°F)
Capacity:	1550 mAh
Self Discharge:	1.4% per year

Duracell 2/3A Typical Performance



Information and contents in this data sheet are for reference purposes only. They do not constitute any warranty and representation is subject to change without notice. For most current information and further details, please contact Duracell.



DURACELL®

BATTERIES

Berkshire Corporate Park
 Bethel, CT 06801 U.S.A.
 Telephone: Toll free 1.800.544.5454
 Internet: www.duracell.com

***Delivered capacity is dependent on the applied load, intermittent usage, operating temperature and cut off voltage. Please refer to the charts and discharge data for examples of energy/service life that the battery will provide for various conditions.**

Information and contents in this data sheet are for reference purposes only. They do not constitute any warranty and representation is subject to change without notice. For most current information and further details, please contact Duracell.